

Keysight Technologies

N5245AS-H18

Notices

© Keysight Technologies, Inc.
2015

No part of this manual may be reproduced in any form or by any means (including electronic storage and retrieval or translation into a foreign language) without prior agreement and written consent from Keysight Technologies, Inc. as governed by United States and international copyright laws.

Trademark Acknowledgments

Manual Part Number

N5245-90018

Edition

Edition 1, November 2015

Supersedes: None

Printed in USA

Published by:
Keysight Technologies
1400 Fountaingrove Parkway
Santa Rosa, CA 95403

Warranty

THE MATERIAL CONTAINED IN THIS DOCUMENT IS PROVIDED "AS IS," AND IS SUBJECT TO BEING CHANGED, WITHOUT NOTICE, IN FUTURE EDITIONS. FURTHER, TO THE MAXIMUM EXTENT PERMITTED BY APPLICABLE LAW, KEYSIGHT DISCLAIMS ALL WARRANTIES, EITHER EXPRESS OR IMPLIED WITH REGARD TO THIS MANUAL AND ANY INFORMATION CONTAINED HEREIN, INCLUDING BUT NOT LIMITED TO THE IMPLIED WARRANTIES OF MERCHANTABILITY AND FITNESS FOR A PARTICULAR PURPOSE. KEYSIGHT SHALL NOT BE LIABLE FOR ERRORS OR FOR INCIDENTAL OR CONSEQUENTIAL DAMAGES IN CONNECTION WITH THE FURNISHING, USE, OR PERFORMANCE OF THIS DOCUMENT OR ANY INFORMATION CONTAINED HEREIN. SHOULD KEYSIGHT AND THE USER HAVE A SEPARATE WRITTEN AGREEMENT WITH WARRANTY TERMS

COVERING THE MATERIAL IN THIS DOCUMENT THAT CONFLICT WITH THESE TERMS, THE WARRANTY TERMS IN THE SEPARATE AGREEMENT WILL CONTROL.

Technology Licenses

The hardware and/or software described in this document are furnished under a license and may be used or copied only in accordance with the terms of such license.

U.S. Government Rights

The Software is "commercial computer software," as defined by Federal Acquisition Regulation ("FAR") 2.101. Pursuant to FAR 12.212 and 27.405-3 and Department of Defense FAR Supplement ("DFARS") 227.7202, the U.S. government acquires commercial computer software under the same terms by which the software is customarily provided to the public.

Accordingly, Keysight provides the Software to U.S. government customers under its standard commercial license, which is embodied in its End User License Agreement (EULA), a copy of which can be found at

<http://www.keysight.com/find/sweula>

The license set forth in the EULA represents the exclusive authority by which the U.S. government may use, modify, distribute, or disclose the Software. The EULA and the license set forth therein, does not require or permit, among other things, that Keysight: (1) Furnish technical information related to commercial computer software or commercial computer software documentation that is not customarily provided to the public; or (2) Relinquish to, or otherwise provide, the government rights in excess of these rights customarily provided to the public to use, modify, reproduce, release, perform, display, or disclose commercial computer software or commercial computer software

documentation. No additional government requirements beyond those set forth in the EULA shall apply, except to the extent that those terms, rights, or licenses are explicitly required from all providers of commercial computer software pursuant to the FAR and the DFARS and are set forth specifically in writing elsewhere in the EULA. Keysight shall be under no obligation to update, revise or otherwise modify the Software. With respect to any technical data as defined by FAR 2.101, pursuant to FAR 12.211 and 27.404.2 and DFARS 227.7102, the U.S. government acquires no greater than Limited Rights as defined in FAR 27.401 or DFAR 227.7103-5 (c), as applicable in any technical data.

Safety Notices

CAUTION

A **CAUTION** notice denotes a hazard. It calls attention to an operating procedure, practice, or the like that, if not correctly performed or adhered to, could result in damage to the product or loss of important data. Do not proceed beyond a CAUTION notice until the indicated conditions are fully understood and met.

WARNING

A **WARNING** notice denotes a hazard. It calls attention to an operating procedure, practice, or the like that, if not correctly performed or adhered to, could result in personal injury or death. Do not proceed beyond a WARNING notice until the indicated conditions are fully understood and met.

Keysight Technologies N5245AS Option H18

Product Note

The N5245AS PNA-X Option H18 deletes the internal test set Port 1 Reference Mixer Switch to enhance Non Linear Network Analyzer (NVNA) measurement capability. Removal of R1 channel reference bypass switch increases the isolation in the R1 channel path. The Port 1 Reference Mixer Switch is replaced by two RF cables and one 6 dB attenuator. The 6 dB attenuator added into the direct path of the R1 internal mixer, mimics the bypass insertion loss, and reduces the chance of compression. The instrument meets the standard specifications with the following exceptions.

- Impact Vector Mixer Calibration (VMC) capability
 - Removal of the Port 1 Reference Mixer Switch limits the ability to switch the R1 channel path from internal to external access during VMC.

Figure 1 Option H18 RF Block Diagram

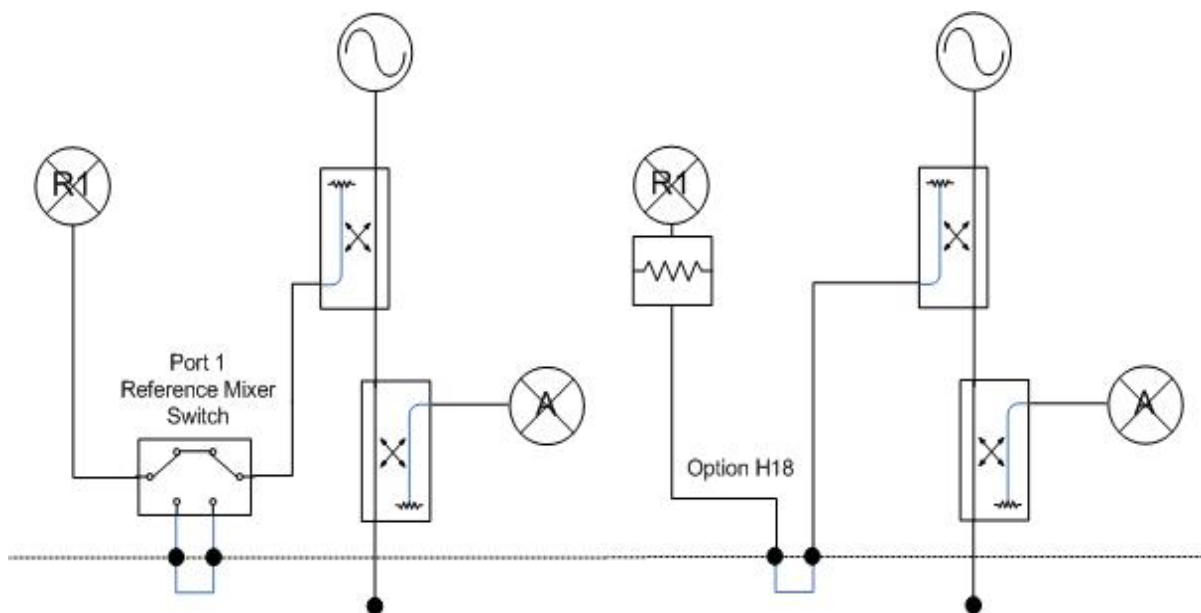


Figure 2 PNA-X Standard Path Configuration

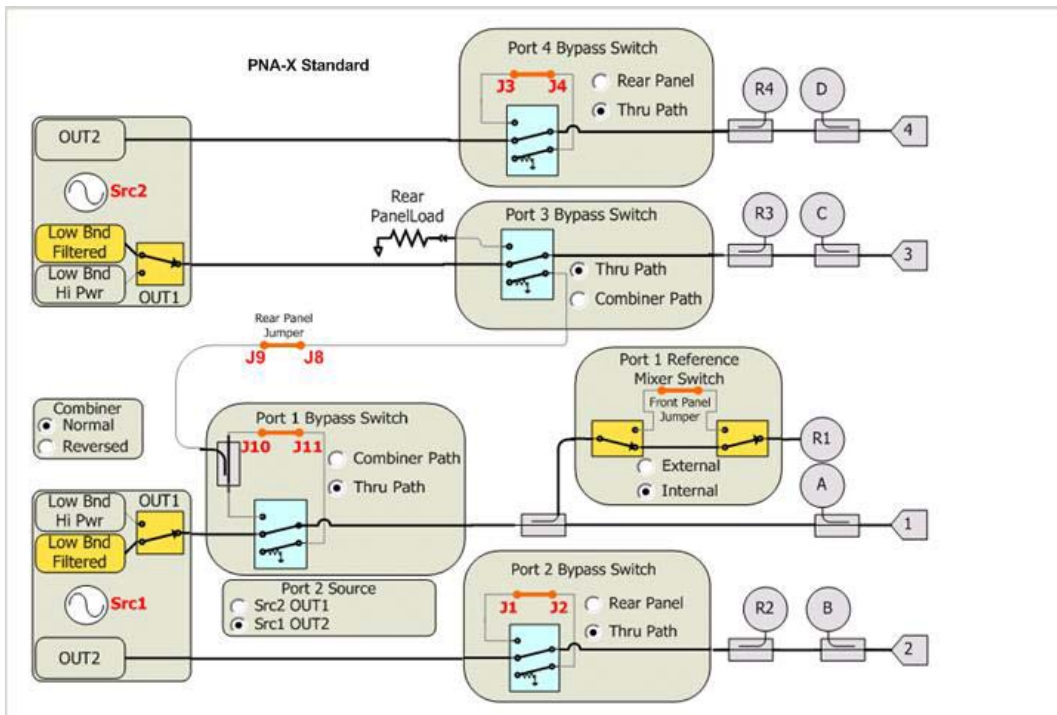


Figure 3 Option H18 Path Configuration

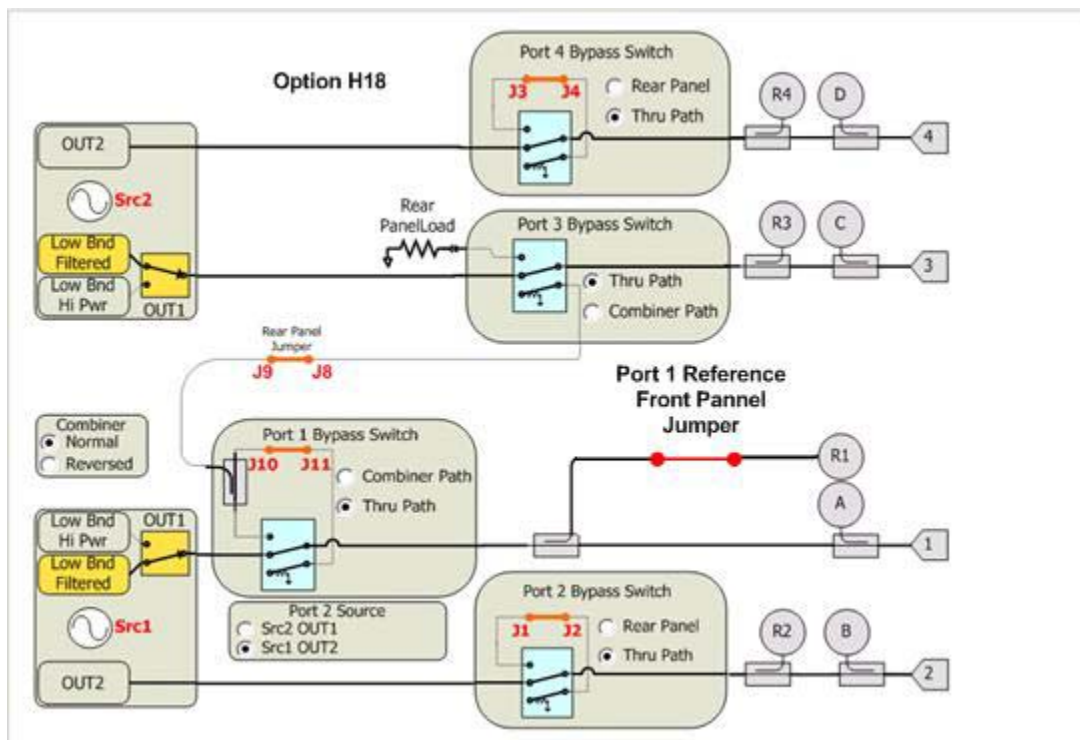


Table 1

N5245A Parts Adds and Deletes list for the N5245AS Option H18

Keysight part #	Quantity	Description
5087-7759	-1	Reference mixer switch
N5245-00024	-1	Bracket
N5245-20006	-1	Front panel REF 1 SOURCE OUT to A37 ref mixer switch
N5245-20007	-1	REF 1 RCVR R1 IN to A37 reference mixer switch
N5245-20008	-1	A29 port 1 reference coupler to A37 reference mixer switch
N5245-20009	-1	A37 reference mixer switch A27 mixer brick (R1)
N5245-20118	-1	A29 port 1 reference coupler to A37 reference mixer switch
8121-0966	-1	A23 test set motherboard J554 to A37 reference mixer switch
08490-60040	1	Coaxial fixed attenuator, DC-50 GHz
N5245-20174	1	Cable Assy - CPLR to FP
N5245-20175	1	Cable Assy - R1 to FP
N5245-90018	1	N5245AS-H18 Product Note

Servicing the N5245AS Option H18

The N5245AS option H18 performs as the standard N5245A with the exception of the Port 1 Reference Mixer Switch. The designated A37 reference mixer switch has been removed from the PNA Test Set. The Port 1 Reference Mixer Switch can no longer be switched from internal to external mode.

Inspect the shipping container. If the container or packing material is damaged, it should be kept until the contents of the shipment have been checked mechanically and electrically. If there is physical damage refer to **“Contacting Keysight” on page 4**. Keep the damaged shipping materials (if any) for inspection by the carrier and a Keysight Technologies representative.

Contacting Keysight

Assistance with test and measurement needs, and information on finding a local Keysight office are available on the Internet at:

<http://www.keysight.com/find/assist>

You can also purchase accessories or documentation items on the Internet at:

<http://www.keysight.com/find>

If you do not have access to the Internet, contact your field engineer.

NOTE

In any correspondence or telephone conversation, refer to the Keysight product by its model number and full serial number. With this information, the Keysight representative can determine the warranty status of your unit.



This information is subject to change without notice.

© Keysight Technologies 2015

Edition 1, November 2015



N5245-90018

N5245-90018

www.keysight.com